



ChargePoint® Express Plus

A flexible DC fast charging platform that grows with you.



Express Plus Specifications

Express Plus Power Module

Express Plus Power Module Output	
Max Output Power	40 kW
Max Output Current	100 A
Power Conversion Efficiency	Up to 96%
Power Factor	0.99 at full load

Express Plus Power Module Specifications	
Power Module Dimensions	430 mm (H) x 130 mm (W) x 760 mm (L) (1 ft 5 in x 5 ft x 2 ft 6 in)
Power Module Weight	45 kg (98.5 lb)
Power Module Cooling	Liquid Cooled Technology
Harmonics	iTHD < 5% (Complies with IEEE 519)

Express Plus Power Block

Express Plus Power Block Input	
Input Rating	3-phase, 400-480Y VAC, 310-260 A 50/60 Hz (200 kW) Optional: 3-phase, 400-480Y VAC, 255-210 A 50/60 Hz (160 kW)
Wiring	L1, L2, L3, Earth
Short Circuit Current Rating	65 kA

Express Plus Power Block Output	
Max Output Power	200 kW Optional: 160 kW
Output Voltage, Charging	100 to 1000 VDC
Max Current per Output	250 A, 300 A, 350 A, 500 A
Number of Stations Served	One Power Block can serve up to 2 Power Link stations. Additional Power Blocks can be added to serve more stations or increase power output.
Max Power Modules per Power Block	5

Express Plus Power Block Specifications	
Power Block Dimensions	2191 mm (H) x 988 mm (W) x 1039 mm (L) (7 ft 3 in x 3 ft 3 in x 3 ft 5 in)
Power Block Weight	455 kg (1000 lb) without Power Modules
Power Block Enclosure Rating	Type 3R, IP56, IK10

ChargePoint, Inc. reserves the right to alter product offerings and specifications at any time without notice, and is not responsible for typographical or graphical errors that may appear in this document.

Express Plus Power Link 2000

Express Plus Power Link Output	
Max Output Power per Connector	Up to 500 kW, dependent on cable amperage and Power Block configuration
Output Voltage, Charging	100 to 1000 VDC
CCS1 Max Output Current	Option 1: 250 A continuous with Power Blocks Option 2: 350 A continuous with Power Blocks Option 3: 500 A continuous liquid cooled cable with Power Blocks
CCS2 Max Output Current*	Option 1: 250 A continuous with Power Blocks Option 2: 300 A continuous with Power Blocks Option 3: 500 A continuous liquid cooled cable with Power Blocks
CHAdeMO Max Output Current*	North American and Europe: 200 A continuous with Power Blocks

* Availability may vary

Express Plus Power Link Specifications	
Station Dimensions	See Diagrams below
Station Footprint	See Diagrams below
Station Weight	Approximately 209 kg (459 lb). Refer to Site Design Guide for more details.
Number of Connectors*	Up to 2 connectors per station. Simultaneous or sequential charging.
Supported Connector Types	CHAdeMO, CCS1 (SAE J1772™ Combo), CCS2 (IEC 61851-23)
Cable Length	Standard 4.5 m (15 ft) with Cable Management Kit (CMK)** Optional 7.6m (25ft) with cable management
Station Enclosure Rating	Type 3R, IP56, IK10 (Except credit card chip reader)
Locking Holster	Optional for Pedestal stations
Mounting Type	Ground, Overhead (Non-Liquid Cooled Cable Only), Wall (Non-Liquid Cooled Cable Only)

**Horizontal reach to typical vehicle charging port: 3.76 m (12 ft 4 in)

Express Plus Specifications

Functional Interfaces	
Indicators	Multicolor LEDs
LCD Display	Optional: Full color 203 mm (8 in) interactive display with full motion video, UV protection, gesture touch controls, and multi-language support
Authentication	RFID: ISO 15693, ISO 14443, NEMA EVSE 1.2-2015 (UR) Tap to Charge (NFC on Apple & Android) Contactless credit card Remote: Mobile and in vehicle (If supported by vehicle) ISO 15118-2, Plug&Charge Optional: Credit card chip reader

ChargePoint, Inc. reserves the right to alter product offerings and specifications at any time without notice, and is not responsible for typographical or graphical errors that may appear in this document.

Connectivity Features	
Local Area Network	2.4 GHz and 5 GHz WiFi (802.11 b/g/n)
Wide Area Network	4G LTE
Supported Communication Protocols	OCPP 2.0.1
Service and Maintenance	Remote system monitoring, diagnostic, and proactive maintenance

Safety Ratings & Protocol	
Vehicle Communication	CHAdeMO: JEVs G104 over CAN CCS1: SAE J1772 over PLC CCS2: IEC 61851-23, ISO 15118
Plug-Out Detection	Power terminated per JEVs G104 (CHAdeMO), SAE J2931 (CCS1) and IEC 61851-23 (CCS2)
Safety Compliance	cUL and UL listed. Complies with UL 2202, UL 2231-1, UL 2231-2 CE and UKCA marked. Complies with IEC 61851-1 and IEC 61851-23 (In progress)
Surge Protection	Tested to IEC 61000-4-5, Level 5 (6 kV @ 3,000 A)
EMC Compliance	North America: FCC part 15 Class B Europe: EN55011, EN55022, and IEC61000-6-3 Class B

Generic Specifications	
Operational Altitude	< 3,000 m (9,800 ft)
Operating Temperature	-40°C to 50°C (-40°F to 122°F) with derating
Storage Temperature	-40°C to 70°C (-40°F to 158°F)
Operating Humidity	Up to 95% at 50°C (122°F) non-condensing
Metering	Eichrecht (In progress)
Buy America	Buy America (FTA & FHWA) options available upon request

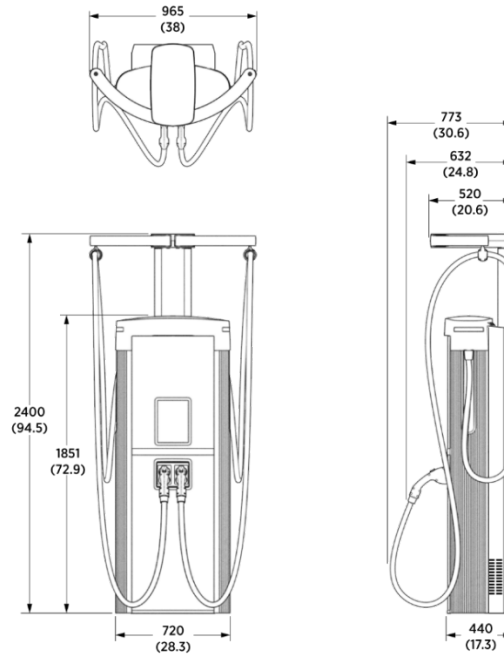
Energy Management Features	
Dynamic Power Management	Allows a fixed maximum power output per station or lets the system dynamically manage the power distribution per station
Remote Energy Management	Manage output power via the ChargePoint Admin Portal, API, and Open ADR 2.0b VEN

ChargePoint, Inc. reserves the right to alter product offerings and specifications at any time without notice, and is not responsible for typographical or graphical errors that may appear in this document.

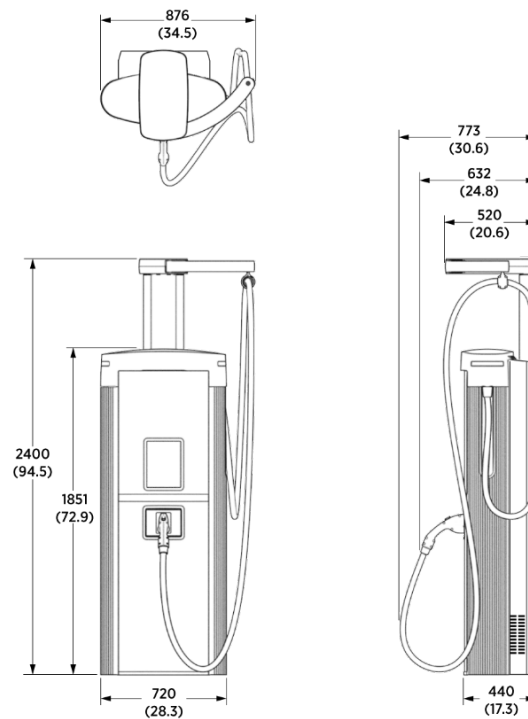
Architectural Drawings

Note: Images are not to scale. Measurements appear in metric units (mm), followed by imperial equivalents(inches).

Express Plus Power Link 2000, with liquid cooled cable, dual connectors



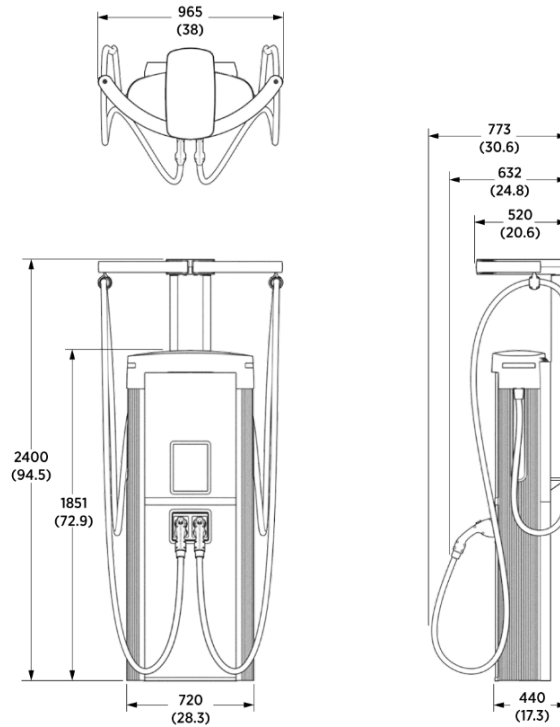
Express Plus Power Link 2000, with liquid cooled cable, single connector



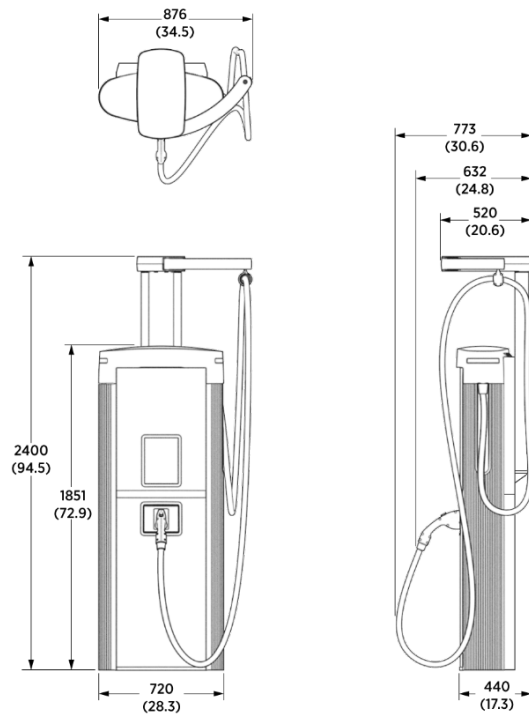
ChargePoint, Inc. reserves the right to alter product offerings and specifications at any time without notice, and is not responsible for typographical or graphical errors that may appear in this document.

Note: Images are not to scale. Measurements appear in metric units (mm), followed by imperial equivalents(inches).

Express Plus Power Link 2000, with non-liquid cooled cables, dual connectors



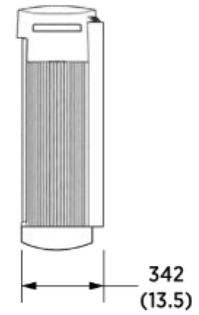
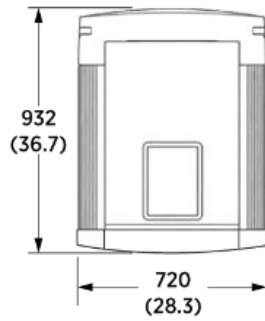
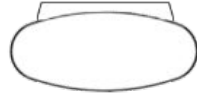
Express Plus Power Link 2000, with non-liquid cooled cables, single connector



ChargePoint, Inc. reserves the right to alter product offerings and specifications at any time without notice, and is not responsible for typographical or graphical errors that may appear in this document.

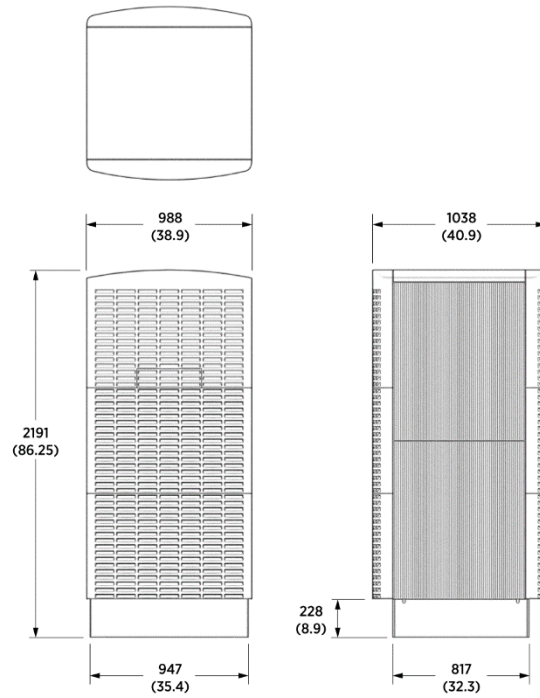
Note: Images are not to scale. Measurements appear in metric units (mm), followed by imperial equivalents(inches).

Express Plus Overhead Mounting Option

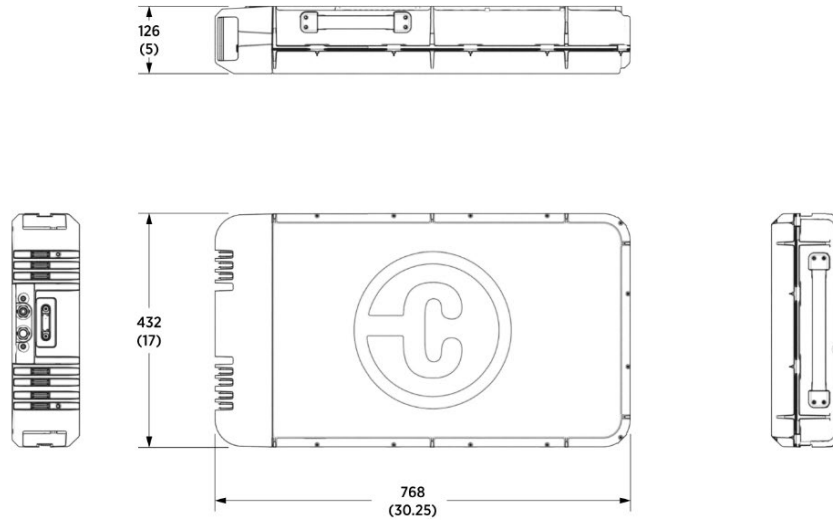


Note: Images are not to scale. Measurements appear in metric units (mm), followed by imperial equivalents(inches).

Express Plus Power Block



Express Plus Power Module



ChargePoint, Inc. reserves the right to alter product offerings and specifications at any time without notice, and is not responsible for typographical or graphical errors that may appear in this document.